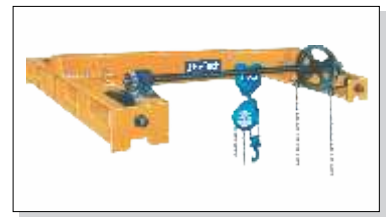
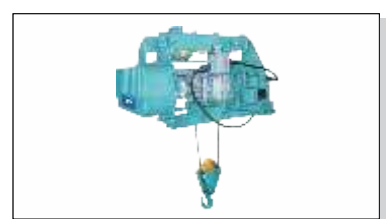
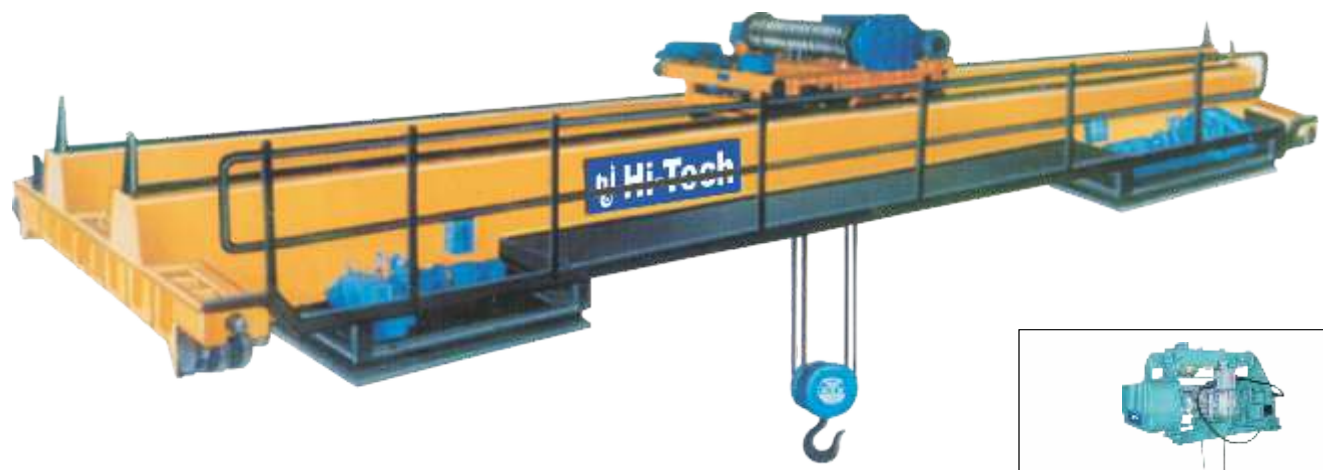


Hi-Tech INDUSTRIES



- **SAFE**
- **STRONG**
- **RELIABLE**



- **CRANE**
- **HOIST**
- **GOODS LIFT**

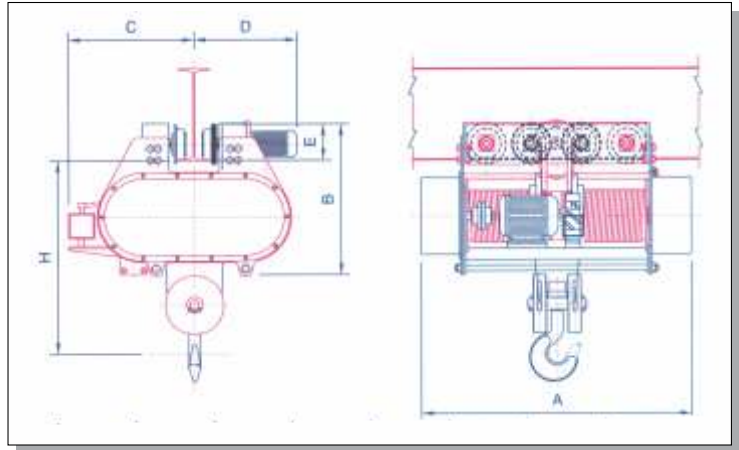
LIFT YOUR PROFIT HIGH WITH "HI-TECH" HOIST

Visit us : www.hitechcranes.com

Hi-Tech - The Comprehensive Lifting Solution



WIRE ROPE HOIST



Technical Specification of “Hi-Tech” wire Rope Hoist to IS : 3938

Model No.	Capacity in Kgs.	HT. Of Lift in Mtrs.	Falls or Rope	Wire Rope Dia-MM	Speed Mt/Min Motor H.P.				Flange Width of I-Beam	Dimension - MM						App. Wt. In Kgs.
					HT	CT	HT	CT		A	B	C	D	E	H	
HT-02	250	10.000	2	Ø6	3.65	18	0.5	0.25	75. To 125	700	425	290	350	170	450	130
HT-05	500	10.000	2	Ø6	3.65	18	0.5	0.25	75 To 125	700	425	290	350	170	450	145
HT-10	1000	08.500	2	Ø8	3.65	15	1.5	0.25	75 To 125	700	425	290	350	170	470	145
HT-20	2000	06.000	4	Ø8	3.65	15	3.0	0.25	90 To 140	1050	450	310	525	175	650	255
HT-30	3000	06.000	4	Ø10	3.65	15	5.0	0.5	125 To 210	1100	740	450	550	210	650	450
HT-50	5000	06.000	4	Ø12	3.65	15	7.5	0.5	125 To 210	1250	675	520	560	210	750	560
HT-75	7500	06.000	4	Ø14	3.65	15	10.0	1.5	150 To 210	1500	950	600	560	320	1000	950
HT-100	10000	06.000	4	Ø16	3.00	15	10.0	1.5	150 To 210	1700	930	650	650	320	1100	1150
HT-150	15000	06.000	4	Ø20	2.00	10	10.0	1.5	180 To 210	1890	1055	985	840	295	1430	2250

“Specific Design Advantages of “Hi-Tech” Wire Rope Hoist :

- Design** : “Hi-Tech” Hoists are designed as per latest IS:3938.
- Modular Construction** : “Hi-Tech” Hoists are very compact with elegant appearance. Hoist motor, brake, electrical control gears & trolley drive Unit are easily accessible. Each unit can be separately assembled and can be easily dismantled. This simplifies repairs, maintenance cost and down time.
- Gear Boxes** : The gear train is precision hob cut from alloy steel material duly heat treated for optimum wear resistance. The gears are running on antifriction ball bearing in a totally enclosed oil bath gear box with splash lubrication of all gears & pinions for fast heat dissipation, smooth operation and long life.
- Rope Drum** : The rope drum is of sturdy construction made of M.S. Seamless pipe and machined cut spiral grooves mounted on self-align ball bearings ensure smooth running.
- Rope Guide** : A rope guide completely encircling the drum is to hold the rope in its groove at all the times and can not uncoil even-when the rope is fully unloaded. Rope guide is provided for perfect winding for rope in drum groove.
- Motor** : Motor are totally enclosed, fan cooled, squirrel cage crane duty conforming to IS : 325 with high starting torque.
- Brake** : A. C. Electromagnetic FAIL-TO-SAFE shoe/disc type brake for hoisting motion which ensures perfect safety in case of power failure. It is mounted externally on the rear end of the motor for ease of maintenance.
- Limit Switch** : Snap action type roller limit switches are provided to avoid over-hoisting and over lowering actuated by rope guide.
- Control Panel** : A dust & vermin proof control panel incorporates heavy duty Contactors, control transformers, relays, HRC fuses with proper ferruling & spacious for ease of maintenance.

Hi-Tech - Meeting the Unique Needs of Each Job



DOUBLE GIRDER
E.O.T. CRANE

“Specific Design Advantages of “Hi-Tech” EOT Crane :

- 1. Cranes** : "Hi-Tech" cranes are ideal for wide ranging application in industries and are most reliable, robust and yet economical. Cranes are manufactured as per customer's requirement like DOUBLE GIRDER CRANES, SINGLE GIRDER CRANES, HOT CRANES, JIB CRANES UNDER SLUNG CRANES & GOLIATH CRANES.
- 2. Design** : “Hi-Tech” Electric Over Head Traveling cranes are designed with adequate factor of safety in accordance with IS:3177 & IS:807
- 3. Structure** : Structure fabricated from IS 2062 plates, having box type Construction with Intermediate long & short diaphragms and stiffeners for proper stress distribution & anti vibration design.
- 4. Hoisting** : Rope drum driven through horizontal gear box and Sq. Cage/Slipping motor. Fabricated rope drum has machine cut grooves. Totally enclosed oil immersed gear box with helical teeth.
- 5. Cross Travel** : Wheels driven through vertical totally enclosed oil emerged Sq.cage/Slipping motor through floating shafts. Flexible geared coupling drive for input and output.
- 6. L.T./C.T.** : LT/CT wheels will be EN-8/En-9 forged /rolled and the hardness will be 250/300 BHN, mounting on “L” type bearing block housing.
- 7. Long Travel** : Twin drive for more then 10M span. Wheels driven through horizontal gearbox and sq. Cage / Slipping motor. Flexible geared coupling or input and output connection.
- 8. Motors** : Motors are totally enclosed, fan cooled, squirrel cage / Slipping crane duty confirming to IS:325 with high starting torque.
- 9. Brake** : A.C. Electromagnetic / Electro hydraulic Thrustor FAIL-TO-SAFE Shoe / disc type brakes are provided for all motion which ensure perfect safety in case of power failure. It is mounted externally on the rear end of the motor for ease of maintenance.
- 10. Limit Switch** : Snap action type roller limit switches are provided to avoid over-hoisting and over lowering actuated by rope guide.
- 11. Control Panel** : Housed in sophisticated sheet metal covering dust & vermin proof control panel incorporates heavy duty Contactors, control transformers, relays HRC fuses with proper ferruling & spacious for ease of maintenance.

"Hi-Tech"

A dedicated Company for material handling Products :

"Hi-Tech" manufactures a wide range of material handling equipment at its factory located at Ahmedabad. The present scope of manufacturing includes :

- ❖ Double Girder EOT Cranes up to 100T Capacity.
- ❖ Single Girder EOT Crane upto 20T Capacity.
- ❖ Single Girder / Double Girder Flame proof Cranes.
- ❖ Grab Bucket Crane
- ❖ Single Girder / Double Girder HOT Cranes
- ❖ Jib Cranes 180° to 360° upto 5T Capacity.
- ❖ Electrical Wire Rope Hoist up to 30T Capacity.
- ❖ Custom Built Hoist.
 1. Flame proof Hoist.
 2. Insulated Hoist
 3. Hoist with Micro speed.
 4. Higher speed / Higher lift Hoist
 5. Hoist with Flexible Trolley for Curved path.
 6. Fix suspension / Foot mounted type.
- ❖ Goliath and semi Goliath cranes.
- ❖ Goods lift (Flame proof / Non Flame proof) upto 10T Capacity.
- ❖ Winches (Flame proof / Non Flame proof) upto 10T Capacity.
- ❖ Custom Built Material Handling Equipment.



Hi-Tech
INDUSTRIES

Works : Road No. 1, Plot No. 6, GIDC, Kathwada, Ahmedabad - 382 430.

☎ : 079 - 2970 9557, 2970 9558

✉ : works@hitechcranes.com • hitech@hitechcranes.com

🌐 : www.hitechcranes.com • www.hitechhotcranes.com