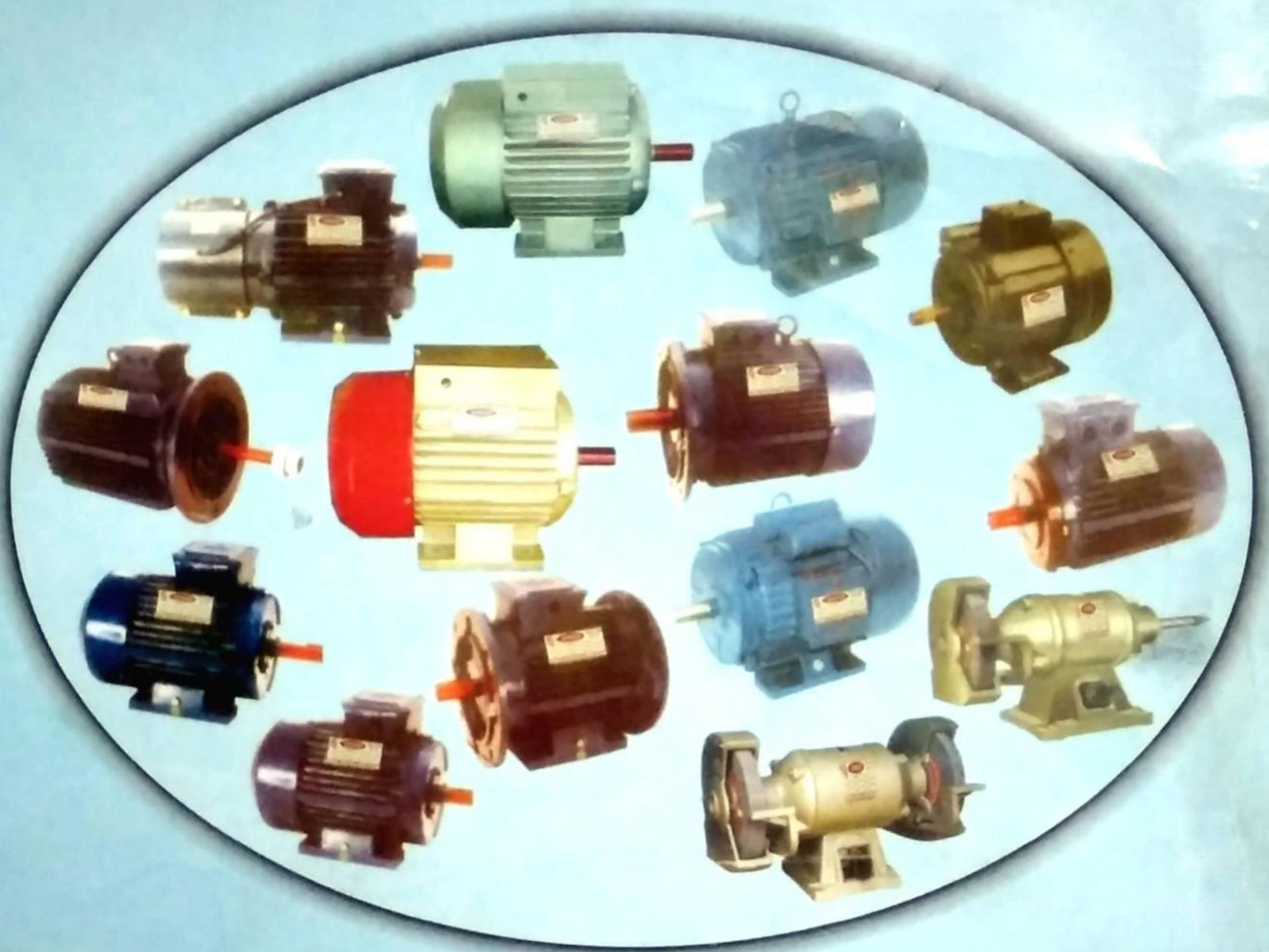


Greater reliability...

Excellent Performance.



SPEED

Mfg. of : Electrical Motors & Pumps

Shop No. 4, Ganesh Shopping Center, Sagunapark, B/h. Ashish Cinema, Odhav,
Ahmedabad - 382415. Mob. : 9824921157, (M) : 9824164072, Ph. : 22900514



Torque Motor



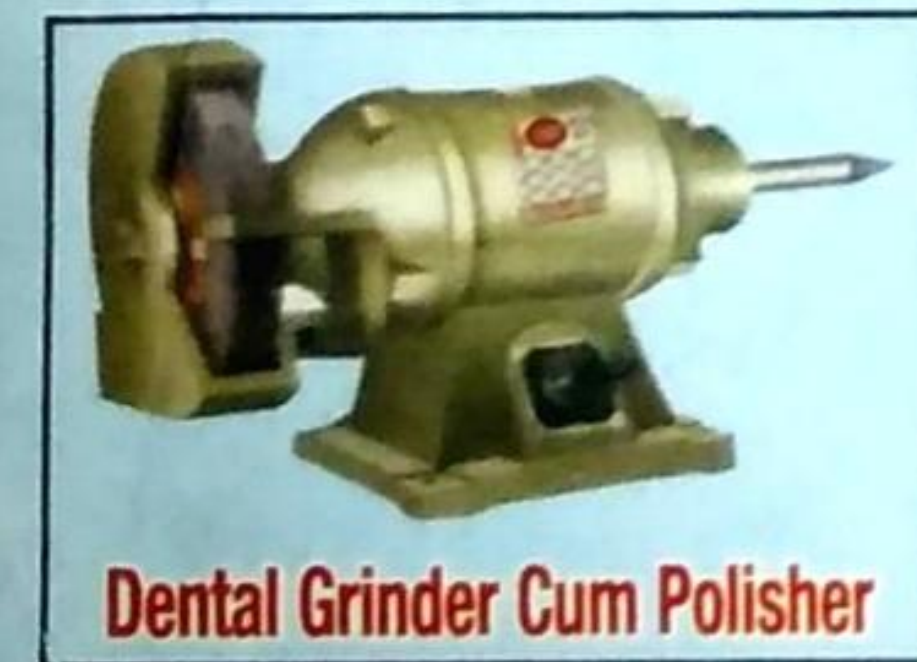
Cooling Tower Motor



Three Phase Motor



Brake Motor



Dental Grinder Cum Polisher



Bench Grinder

The Right Motor for every application. "SPEED" presents an up graded range of Standard and Special motor, for use in Blowers, Compressors, Pumps, Machine Tools, Chemical Machinery, Textile Machinery, Plastic Machinery, Sugar Machinery, Oil Mills and other Special applications.

All the raw material used in our products are of sound quality with good testing. Low loss dynamo grade electrical silicon steel lamination, quality grade of C.I. casting, precision anti-friction bearings, polyester based enameled wire, high quality of fiberglass insulating material and plated hardware have been made available for achieving the highest quality of products.

Specification & Performance

Motors are continuously rated for S1 duty, suitable for 415 volt \pm 6%, 50C/S \pm 3%, Three phase A.C. supply with class "B" insulation, an ambient temperature of 40° c and site altitude of upto 1000m above mean sea level. All T.E.F.C. squirrel cage motors comply with IS:325 & dimension according to IS:1231 & IS:2223.

Enclosure

Motors have IP-44 Protection as defined in IS:4691. Motors can be supplied with IP-54 and IP-55 on request.

Construction

Standard motors with Single shaft extension are horizontal foot mounted (B3 as per IS:2253).

Pressure Die-cast Rotors

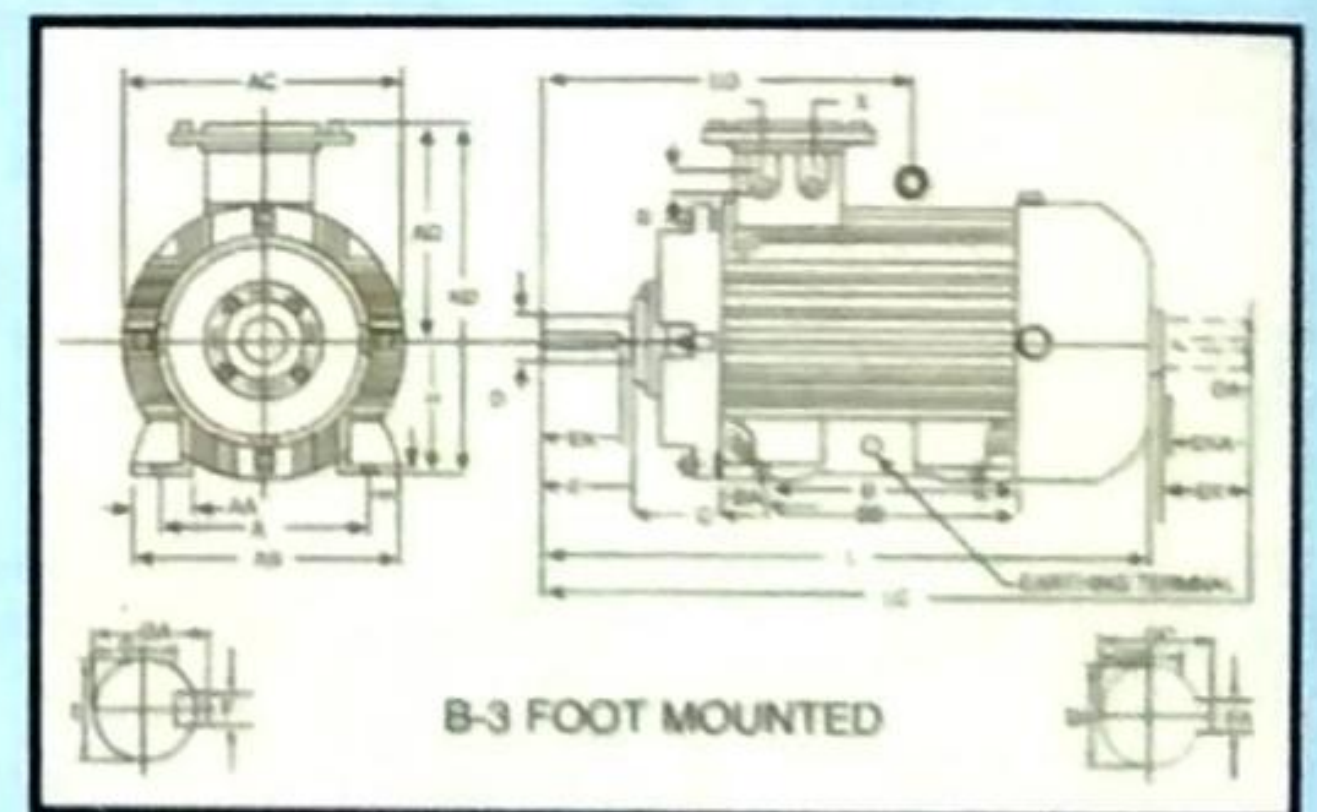
All rotors are of high pressure aluminium die-cast with ensure improved reliability due to elimination of joint that exist in a brazed rotors. Each rotors is dynamically balanced along with the fan on electronic balancing machine to ensure very low amplitudes of vibration and noise level.

Noise Level and Vibration

Motors are designed for low noise level. Dynamically balanced rotors having perfect alignment and a fine control on the uniformity of air gap minimise the vibration. Pulley, bearing seats and air gap surface are grinding resulting in vibration free running.

Range :-

- (1) Foot (B3) / Flange (B5) / Face (B14) mounted 3-Phase, TEFC, 0.125 HP to 30 HP (0.09 kw to 22 kw) in 2, 4, 6, and 8 poles.
- (2) Foot (B3) / Flange (B5) / Face (B14) mounted 1 phase, TEFC & SPDP, 0.125 HP to 3 HP in 2, 4, and 6 poles.
- (3) Foot (B3) cum Flange (B5) Mounted Motors.
- (4) Foot (B3) cum Face (B14) Mounted Motors.
- (5) Textile Motors : Loom and card Motors of 0.55 kw to 1.5kw in 6 & 8 poles.
- (6) Hot Air Fan starter Motors with "F" class Insl. with single speed and double speed.
- (7) Crane Duty Motors: 30, 60, 100, 150, 300 starts / stop per hr., 15, 25, 40, 60, 100% CDF with S2, S3 S4, S5 duty cycles.
- (8) Torque Motors : 0.07 kg.m to 1.5 kg.m Torque with 11/2 hour safe stall time.
- (9) Brake Motors : Motors fitted with AC / DC Brakes.
- (10) Cooling Tower Motor: Frame size upto 180 L in 4, 6, 8,10 and 12 poles.
- (11) Multispeed Motors : (I) Constant Torque (II) Constant H.P.
- (12) Agricultural Motors with "A" class of Insulation.
- (13) Tailor-made Motors to suit the electrical and mechanical specification.



Bench Grinders

H.P.	R.P.M.	WHEEL SIZE	
		Dia in Inch	Dia in mm Dia x Width x Bore
0.25	3000	4" x 3/4"	100 x 20 x 19
0.5	3000	8" x 3/4"	200 x 20 x 31.75
0.75	3000	8" x 1"	200 x 25 x 31.75
1.0	3000	10" x 1"	250 x 25 x 31.75
2	3000	12" x 1"	300 x 25 x 31.75
2	1500	12" x 1.5"	300 x 37.75 x 31.75



Flanged Mounted Motor



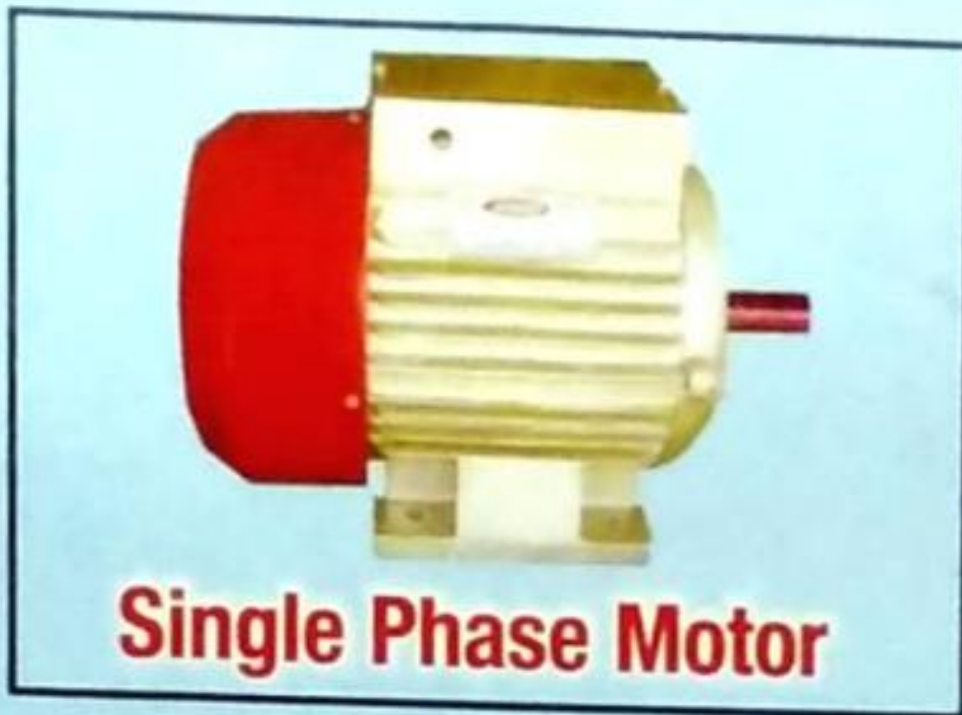
Single Phase Motor



Single Phase Electric Motor



Flange Mounted Motor



Single Phase Motor

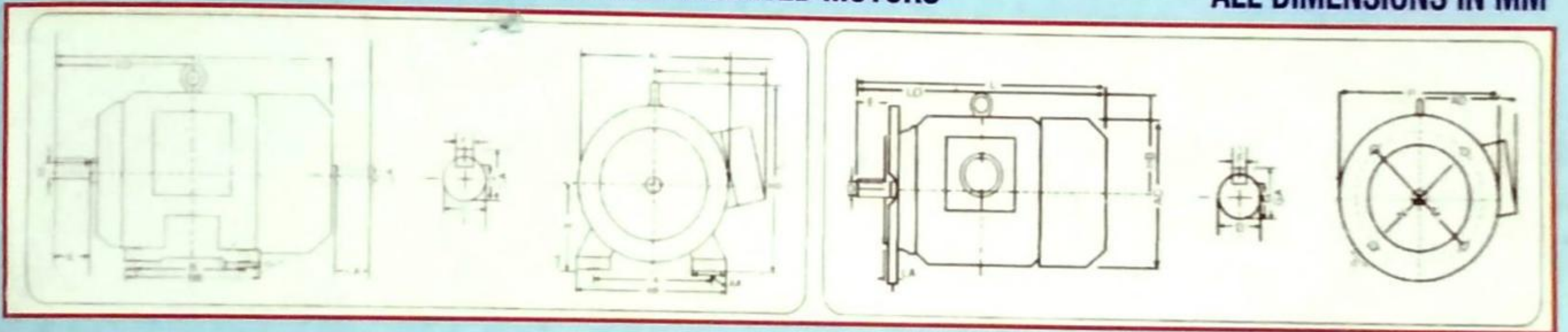


Standard Motor

THREE PHASE ELECTRIC MOTORS

DIMENSIONS HORIZONTAL FOOT AND FLANGE MOUNTED MOTORS

ALL DIMENSIONS IN MM



FRAME	A	B	C	H	L	LO	AA	AB	AC	BB	HA	HD	D/DA	E/EA	F	G	GA	M	N	P	S	T	LA
63	100	80	40	63	205	101	26	126	120	100	10	155	11	23	4	8.5	12.5	115	95	140	10	3	9
71	112	90	45	71	255	139	30	135	135	115	12	170	16	45	5	13.2	18.5	130	110	160	10	3.5	9
80	125	100	50	80	295	155	30	152	160	128	12	190	19	50	6	15.5	21.5	165	130	200	12	3.5	10
90L	140	125	56	90	335	177	35	178	181	153	14	190	24	60	8	20.0	27.0	165	130	200	12	3.5	10
100L	160	140	63	100	370	190	42	198	210	167	16	255	28	60	8	24.0	31.0	215	180	250	15	4	11
112M	190	140	70	112	400	205	46	225	230	176	20	285	28	60	8	24.0	31.0	215	180	250	15	4	11
132S	216	140	89	132	465	246	53	260	260	195	20	320	38	80	10	33.0	41.0	265	230	300	15	4	12
132M	216	178	89	132	505	266	53	260	260	235	20	320	38	80	10	33.0	41.0	265	230	300	15	4	12
160M	254	210	108	160	585	323	58	315	325	250	25	375	42	110	12	37.0	45.0	300	250	350	19	5	20
160L	254	254	108	160	630	345	58	315	325	300	25	375	42	110	12	37.0	45.0	300	250	350	19	5	20

← FOOT MOUNTED →

← FLANGE MOUNTED →



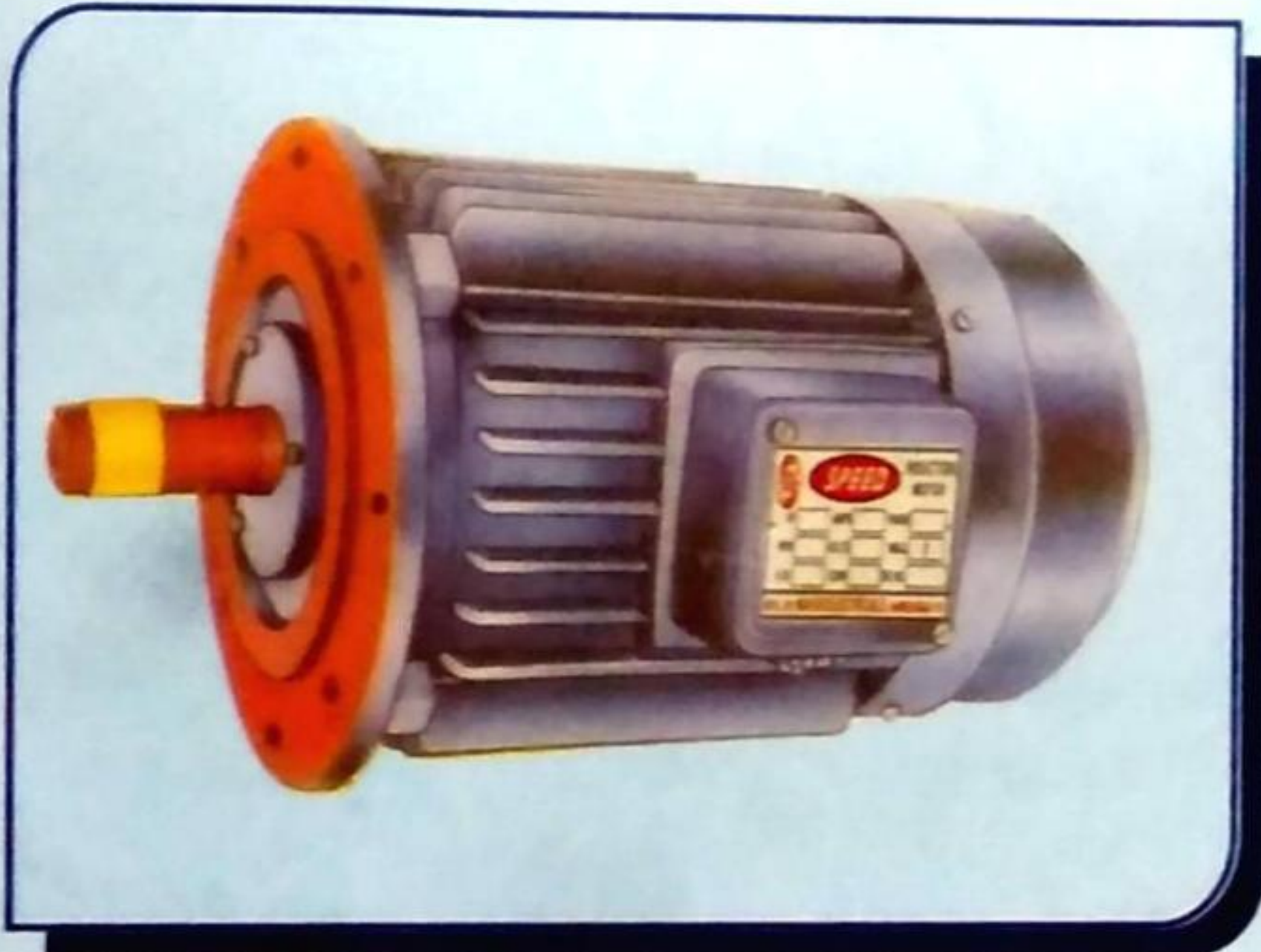
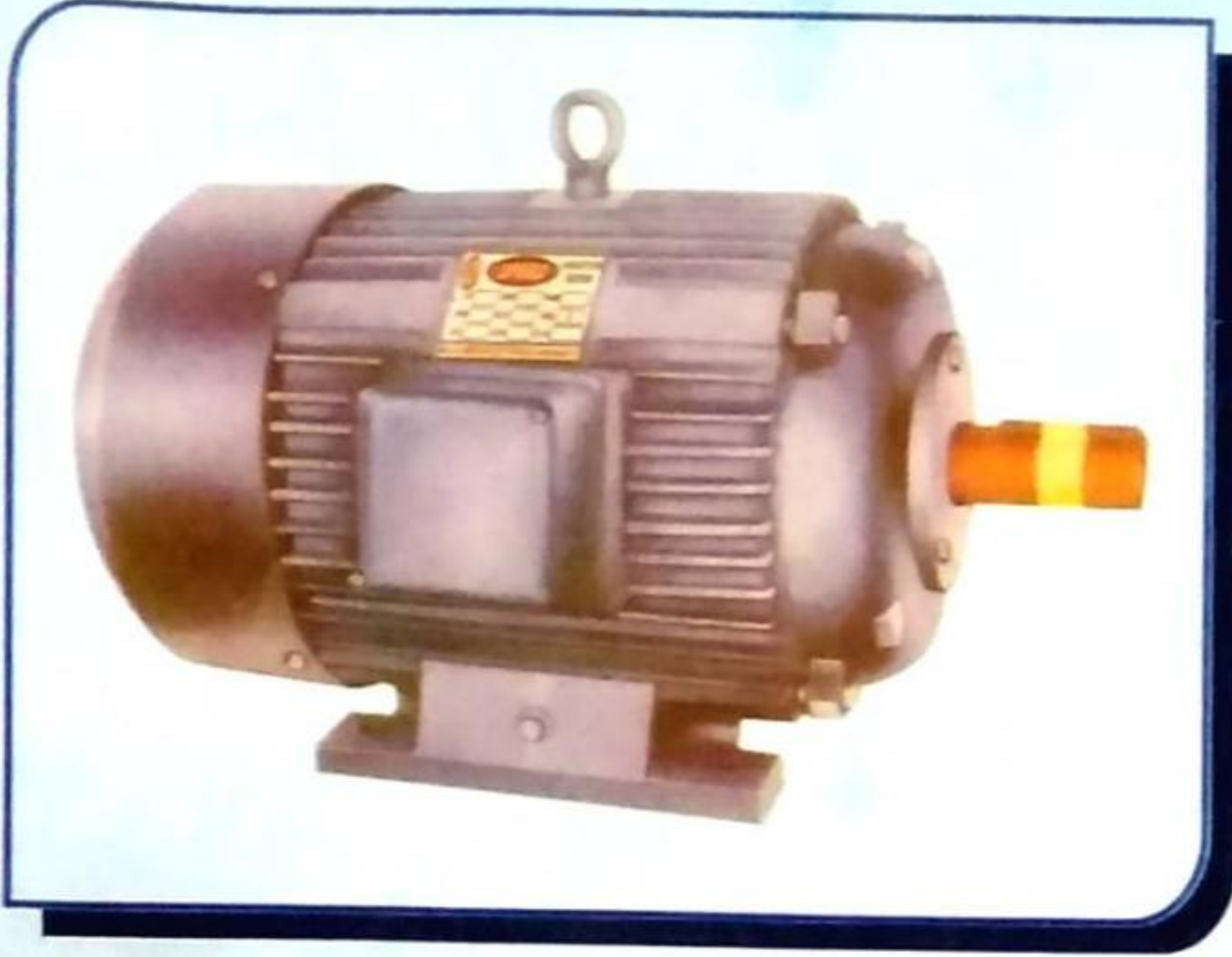
Crane Duty Motor



Phase Mounted Motor



Foot Mounted Motor



Mfg. By :



Mfg. of : Electrical Motors & Pumps

Shop No. 4, Ganesh Shopping Center, Sagunapark,
B/h. Ashish Cinema, Odhav, Ahmedabad - 382415.

Authorised Dealer