

LAXMI ENGINEERING

SPAN - 3122MM  
SR.No- CO 103  
MFS YEAR 2011

10 T.

perfect crane technology

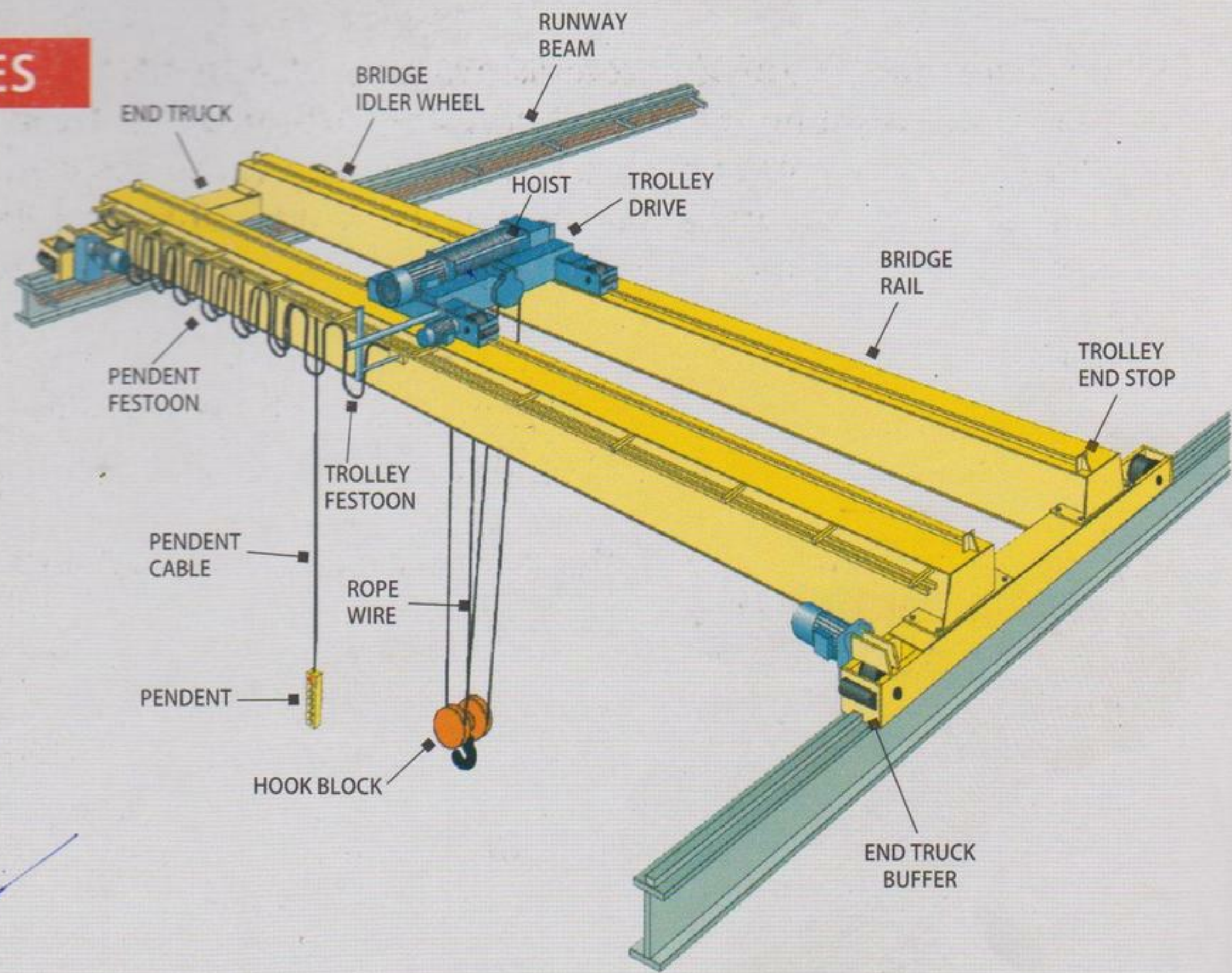
Since 1990

Manufacturer & Supplier of

INDUSTRIAL CRANES &  
OVERHEAD CRANES

***laxmi***  
*engineering*

# DOUBLE GIRDER OVERHEAD CRANES

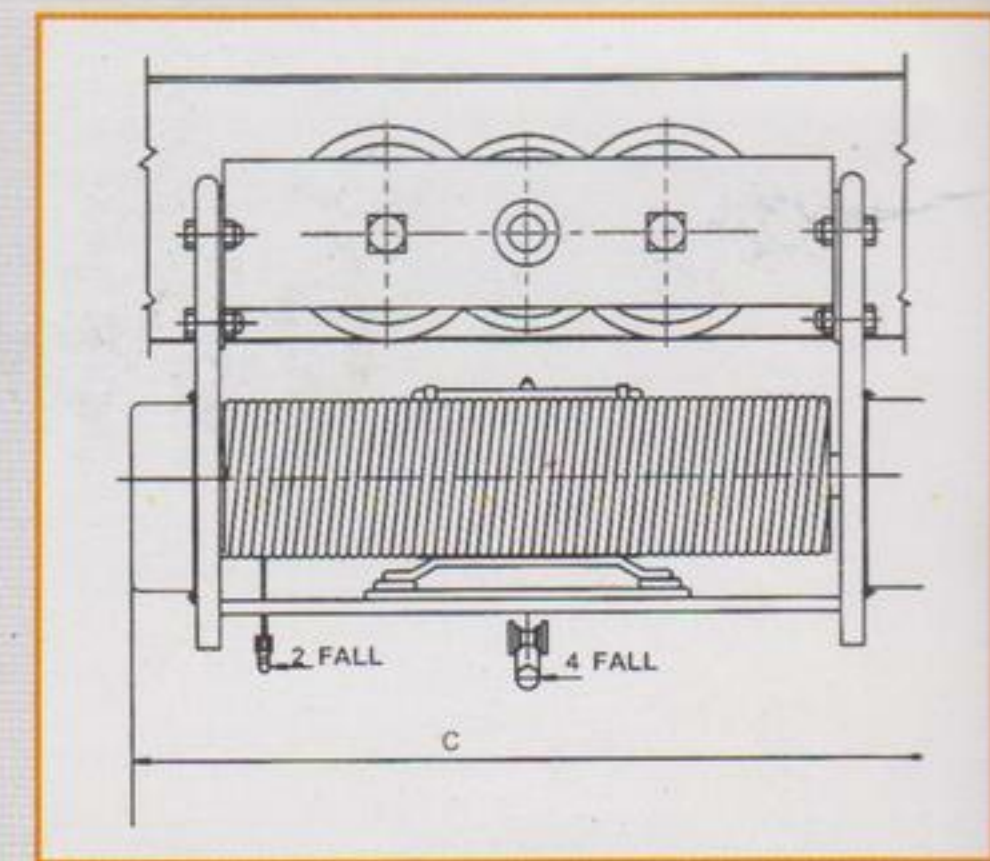
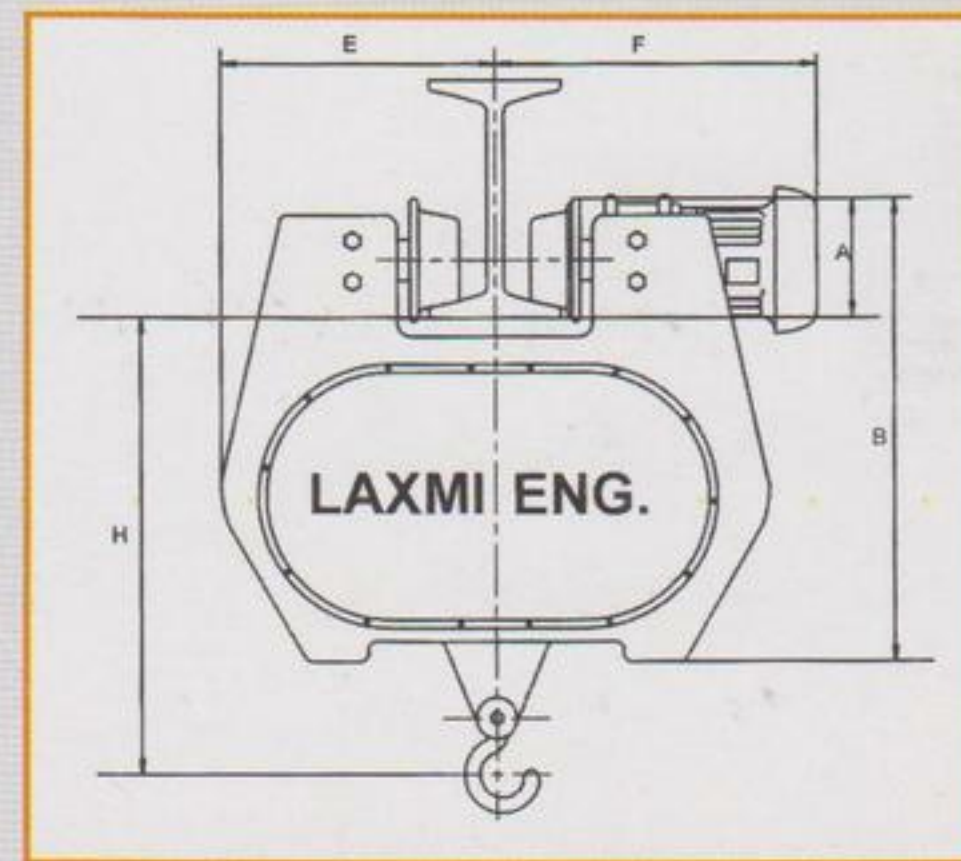


## TOP RUNNING / DOUBLE GIRDER OVERHEAD CRANES

- Capacity** : Up to 100 Ton
- Span** : Up to 30 meters
- Long Travel Speed** : Up to 40 meter/min.
- Cross Travel Speed** : Up to 20 meter/min.

- Widely used for large capacity types with Longer span
- Used for high frequency & hard works in any motions
- Suitable for large headroom (Distance between building ceiling and the Traveling rails)

### TECHNICAL SPECIFICATIONS OF : LAXMI WIRE ROPE HOISTS



SWL Kgs	Lift Mtr.	Speed MPM		Motor H.P.		No. Of Falls	Dimensions MM						Wt. Kg.s
		Hoisting	C.T.	Hoisting	C.T.		H	A	B	C	E	F	
500	6	4	18	0.5	0.25	2	580	180	460	720	300	400	150
1000	6	4	18	1.5	0.25	2	580	180	460	720	300	400	180
2000	6	4	15	3	0.5	2 or 4	600/650	200	690	1050	500	500/540	400
3000	6	3.5	15	5	1	2	1000	200	730	1100	500	545	500
5000	6	3.5	15	5	1	4	1000	200	730	1100	500	545	550
7000	6	3.5	10	7.5	1	4	1500	250	950	1700	620	690	1150
10000	6	2.5	10	10	1.5	4	1500	250	950	1700	620	690	1200

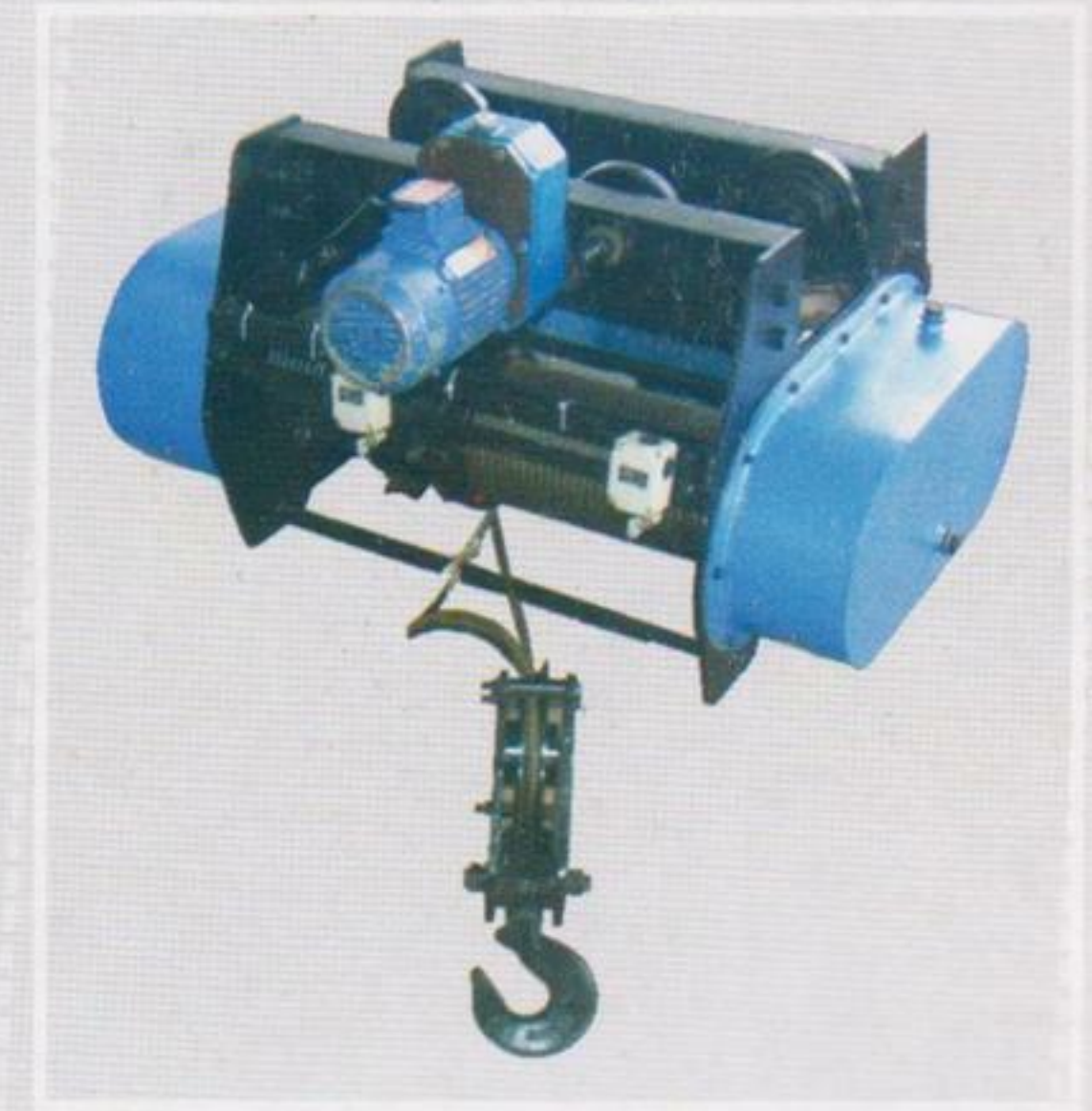
**Note:** Hoist specification above 10 tons on request. In accordance with our policy of progressive improvement the right is reserved to after any details of price. Specifications and dimensions without any notice.

LAXMI hoist are manufactured in compliance to IS 3938 to meet class II, III & IV duty applications. Hoisting machinery consists of Motor, Brake, Gear Box, Rope, Drum, Wire Rope, Control Panel etc... Hoisting machinery serves the purpose of moving loads vertically as well as transferring them one point of the area covered by the machinery into another.

**MOTOR :** Motors are totally enclosed, hoist duty with 'F' class Insulation, 150 Starts / Hour, 40% class duty cycle of reputed make like Bharat Bijli / Kirloskar / Crompton / Siemens / Rotomotive (Italy) / BCH / MEGA make.

**GEAR BOX :** All Gearboxes used in the cranes are totally enclosed in dust proof construction. Gears are machined from Alloy steel and Hardened. All Gearing is enclosed in a rugged steel housing and is oil / grease splash lubricated.

**BRAKES :** Suitable Electro Magnetic AC Disc/Electro Magnetic AC Shoe Type / Electro Hydraulic thruster type brakes are provided in all motions. These are automatically released when the motor circuit is on & are applied when the motor circuit is off. This features works as positive safety device as the brakes automatically comes into operation when the power supply fails.



**ROPE DRUM & ROPE GUIDE :**

Steel drums are precision machine cut fabricated from seamless pipe / plate having either single or double grooved configurations. Hoists are equipped with rope guides to prevent over lapping of the rope the drum and to extend rope.

**LIMIT SWITCHES :**

Upper and lower hoisting limit switches are standard equipments.

**BOTTOM BLOCK :**

Bottom Blocks are equipped with protective guard around the rope opening. Shakti type forged Hook is as per IS 3815 swivel on thrust bearings.



**CONTROL PANEL :**

The easy to service control panels consists of standard make of heavy duty contractors, over load relay, transformers and other associated equipments. All Hoists are suitable for three phases 415 V + -10%, 50Hz, AC Supply. Other power supply types on request.

**OPTIONAL FEATURES :**

The following features can be supplied on request.

- Variable speed control / Micro speed arrangement through frequency Inverters / variable Frequency Drives
- Radio Remote Control
- Suitable for curvature type other options are available on request.

**ALSO AVAILABLE :**

- Higher Lift Hoists
- Flame Proof Applications

## SINGLE GIRDER CRANES



### UNDER SLUG / UNDER HUNG / SUSPENSION TYPE SINGLE GIRDER OVERHEAD CRANES

**Capacity:** up to 5 Ton

**Span:** Up to 20 meters (Depending on the Capacity)

**Long Travel Speed:** Up to 20 meter/min.

**Cross Travel Speed:** Up to 15 meter/min.

- Used when ceiling height is relatively small
- Cost effective and use of totally shop floor area without any Obstruction.
- Run under I beam which is fixed under ceiling
- Best solution when span of crane is too longer



### SINGLE GIRDER / DOUBLE GIRDER GANTRY / GOLIATH CRANES

**Capacity:** Single Girder cranes up to 15 ton cap.

Double Girder cranes up to 50 ton cap.

**Span:** Up to 20 meters (Depending on the Capacity)

**Long Travel Speed:** Up to 20 meter/min.

**Cross Travel Speed:** Up to 15 meter/min.

- Widely used for outdoor applications like construction area, ship yard.
- Used when rails are installed on ground surface
- Used to carry materials outdoor to indoor area
- Cost effective and economical solutions-no need of Concrete foundations, Runway beam and columns.

**Laxmi**  
engineering

Plot No. 3, Kanjibhai Estate, Mahemdabad High-way, Near Vinzol Patia, Vatva, Ahmedabad-382 445.

**Mobile:** +91-98258 67972 • **E-mail:** laxmieng.13@gmail.com • **Visit us:** www.mfg@laxmiengineering.co